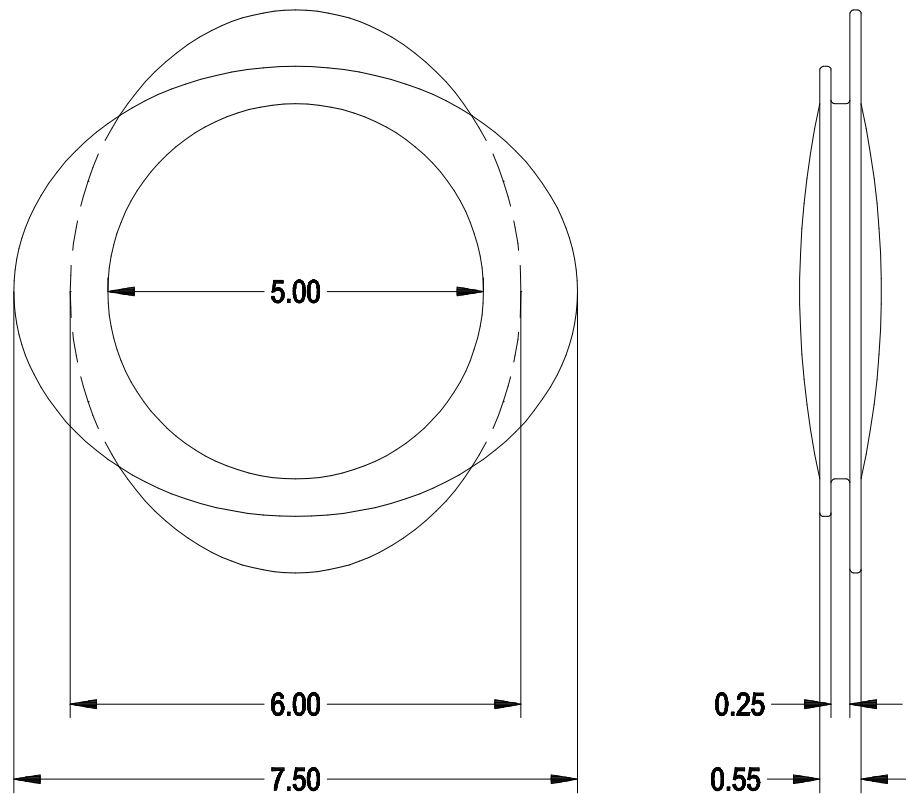


FOLDABLE IOL

TYPE 89A

"BAG IN THE LENS"



DESIGN:	TASSIGNON	
MATERIAL:	COACRYL 28	
OVERALL LENGTH:	7,5 MM	
HAPTIC:	0,15 MM	
OPTIC:	5 MM / BICONVEX	
POWER RANGE IN 0,5 D INCREMENTS:	10 - 30 D / OTHER DIOPTERS ON REQUEST	
FIRST PRODUCTION:	26.08.1998	
ESTIMATED ANTERIOR CHAMBER DEPTH:	AC DEPTH=4,97	YOUR DATA:.....
ESTIMATED A-CONSTANT:	A CON.=118	YOUR DATA:.....
ESTIMATED STANDARD POWER:	23 D	YOUR DATA:.....

PLEASE NOTE: ACCC AND PCCC SHOULD BE 4,5 MM IN DIAMETER! WE RECOMMEND TO USE A RING CALIPER MORCHER TYPE 5